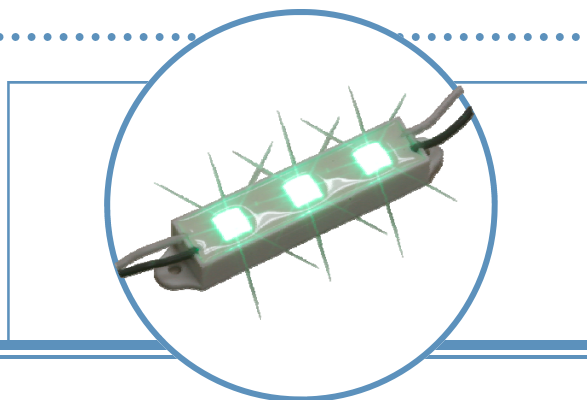


3 LED Module Strips (30 modules / strip)

OVM12F3x7

- Available in Red, Amber, Green, Blue & White
- Low Power Consumption
- Super Flux LED
- Waterproof (IP67)
- Pb-free
- 3 inches to over 40 feet long

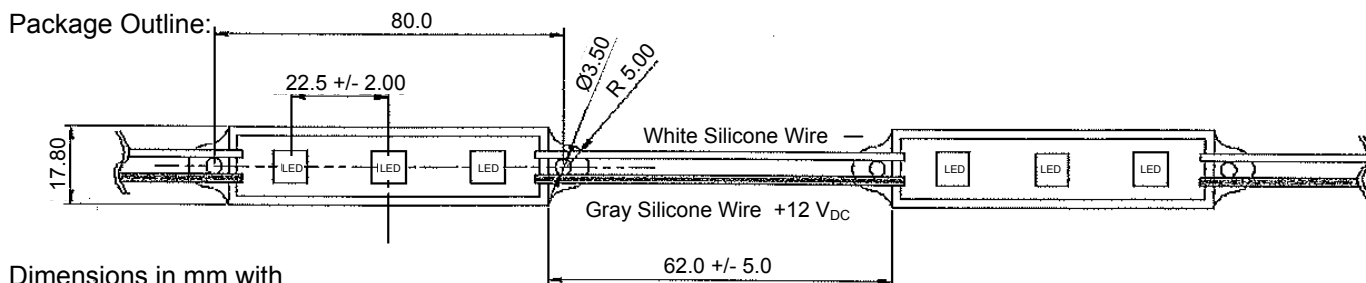


The **OVM12F3x7** is a versatile string of 30 LED modules for surface illumination creating decorative, special effects or channel letter applications. Response time is fast for instantaneous flashing lights and power consumption results in low power requirements from circuit power supply. Decorative applications include boats & motorcycles, boat houses & docks, residential under counter lighting & hidden ceiling lights, safety lights around steps and pools are just a few places to create an environment for fun and emotional moods.

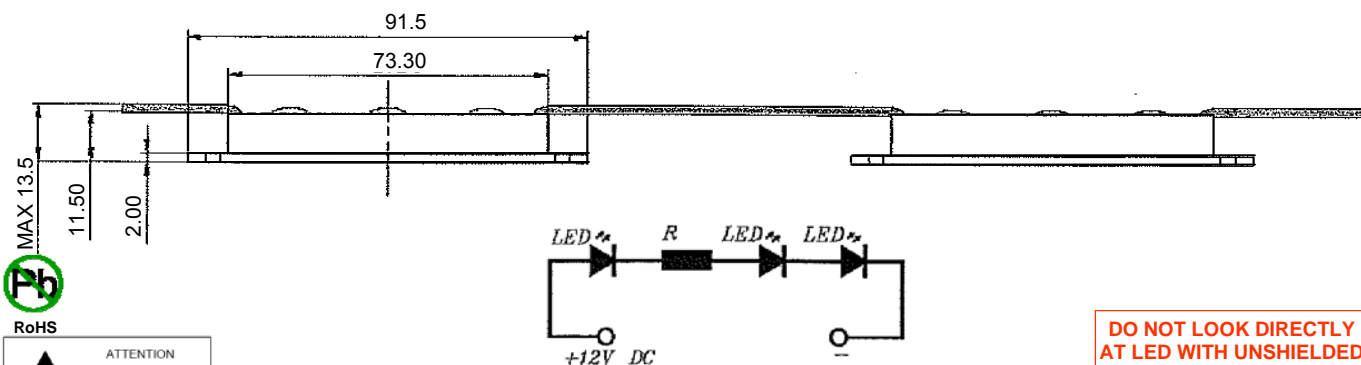
Applications

- Channel Letters & Signs
- Mood-setting decoration and landscape lighting
 - Special decorative interior/exterior lighting
 - Special effects stage lighting
- Large Area Back-lighting

Part Number	Material	Emitted Color	typ Lux @ 0.5 m	Lens Color
OVM12F3x7	Waterproof sealed	Basic colors	Selection Chart	Water Clear



Dimensions in mm with
+/- 1.0 mm tolerance



RoHS
ATTENTION
OBSERVE PRECAUTIONS
ELECTROSTATIC
SENSITIVE DEVICES

**DO NOT LOOK DIRECTLY
AT RED WITH UNSHIELDED
EYES OR DAMAGE TO
RETINA MAY OCCUR.**

OPTEK reserves the right to make changes at any time in order to improve design and to supply the best product possible.

3 LED Module Strips

OVM12F3x7



Absolute Maximum Ratings

T_A = 25° C unless otherwise noted

Storage Temperature Range	-40 ~ +80 °C
Operating Temperature Range	-30 ~ +50 °C
Input Voltage	15 V
Power Dissipation	1.5 W
LED Junction Temperature	125 °C

Notes:

1. Lead Solder time less than 10 seconds at temperature extreme.
2. No Heat sink is required if the string is operated at ambient temperature < 35°C. For long term performance the drive voltage at 12 V is recommended. Please contact an Optek sales representative for more information on recommended drive conditions.

Electrical & Mechanical Characteristics / module

T_A = 25° C unless otherwise noted

SYMBOL	Notes	MIN	TYP	MAX	UNITS	CONDITIONS
Power Consumption	Red/Yellow Green/Blue/White	---	0.5 0.3	---	W	V _{DC} = 12 V
V _{DC}	Input Voltage	---	12	---	V	
Net Weight		---	16	---	g	Per module
λ _D	Dominant Wavelength	---	See chart	---		
2 Θ _½	50% Power Angle	---	120	---	deg	V _{DC} = 12 V

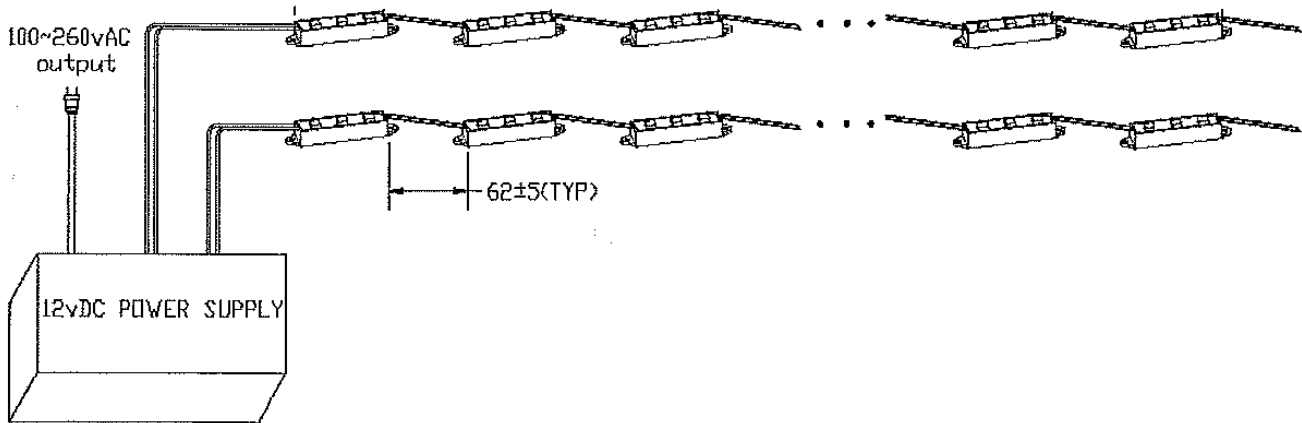
Device Selection Guide

Part Number	Color	Dominant Wavelength or CCT	Illumination (lux@0.5m) typ	Safety Grade
OVM12F3R7	Red	623 +/- 3 nm	20	IP67
OVM12F3Y7	Yellow	590 +/- 3 nm	18	IP67
OVM12F3G7	Green	525 +/- 5 nm	14	IP67
OVM12F3B7	Blue	470 +/- 5 nm	6	IP67
OVM12F3W7	White	5000 to 7000 K	16	IP67

OPTEK reserves the right to make changes at any time in order to improve design and to supply the best product possible.

3 LED Module Strips

OVM12F3x7



A thirty (30) LED Module string can be linked & driven with 12V_{DC} as received out of the box. However, a maximum of 50 Blue/Green/White modules can be fitted into one serial string with 12V_{DC}. As many parallel strings that the power unit can handle is acceptable as long as the number of max modules stated above are linked in each serial string.

Modules can be secured onto a mounting surface with two screws. Modules are waterproof and can be used outdoors — installer is responsible for waterproofing the connection to the power source. Installer is also responsible for the use of an exterior approved power source for outdoor usage.

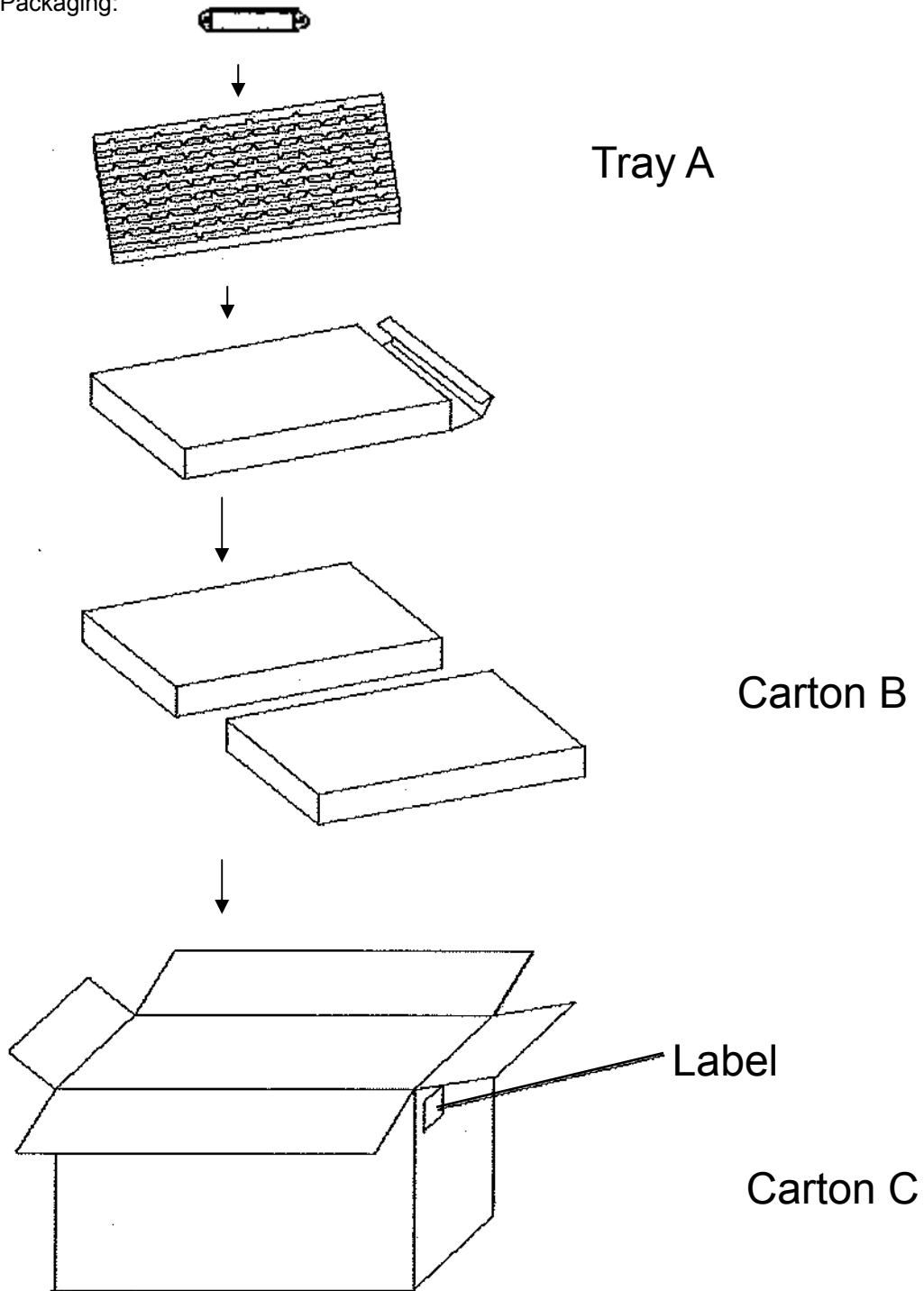


OPTEK reserves the right to make changes at any time in order to improve design and to supply the best product possible.

3 LED Module Strips

OVM12F3x7

Shipment Packaging:



Notes:

- (1) Tray A packing quantity is 2 strips of 30 modules each
- (2) Carton C contains 10 carton Bs and carton B contains 1 tray A

OPTEK reserves the right to make changes at any time in order to improve design and to supply the best product possible.